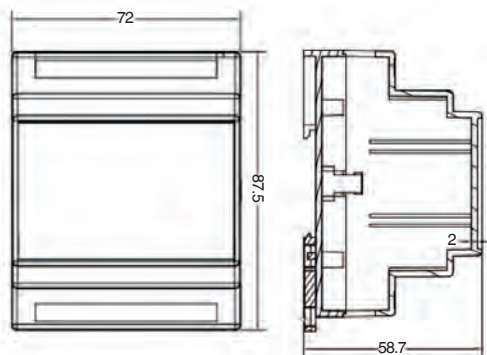


放大器 / Amplifier

B6542

尺寸及量程 / Size and Capacity



技术参数 / Technical Parameters

参数	Specifications	技术指标/Technique
工作电压	Power supply	18...30VDC
输出端口	Interface	4...20mA, 0...10V, RS232 and RS485
通讯协议	Protocol	Modbus RTU/FREE
开关量	I/O output	3个晶体管输出, 24V/1A带载能力, 2路输入 (3-point transistor output, 24V/1A capacity, 2 input)
激励电压	Recommended excitation	5V DC, 100mA
输入信号范围	Signal Input	0.4...6mV/V
输入输出通道	Channel Qty.	1路输入1路输出 (One input and one output)
驱动能力	Number of load cell	最多6个350欧姆传感器并联 (Up to 6 load cell 350Ω)
采集频率	Acquisition frequency	Up to 4,800 Hz
显示精度	Display accuracy	1/10,000
工作温度	Operation temp range	-30...60°C
防护等级	Ingress Protection	IP54
重量	Weight	0.2kg

特点和用途 / Features&Applications

- 多种信号输出, 提供4...20mA, 0...10V, RS232和RS232信号输出
- 数据高速采集, 高速传输。采集频率最高可达4,800Hz
- DIN导轨安装方式, 结构紧凑, 安装便捷
- 提供多级数字滤波
- Multiple signal outputs, providing 4...20mA and RS485, RS232 signal outputs
- High-speed data acquisition and transmission, acquisition frequency up to 4,800Hz
- Easy for installation
- Provide a variety of digital filter