

三相交流電壓/電流電錶(48x96mm) (3 PHASE AC VOLTAGE/CURRENT METER,48x96mm)

**MODEL
MMP-3VI**



■特點(FEATURES)

- 精確度0.15%滿刻度(Accuracy 0.15% F.S.)
- 可同時量測與顯示三相交流相電壓、線電壓、電流(Measuring ACV-line/ACV-phase/A)
- 交流電壓、電流皆為真正有效值(TRMS)(ACV/ACA for true RMS)
- CT比與PT比可任意設定(1至9999)(CT rate/PT rate can be modified(1 to 9999))
- 手動與自動顯示模式可任意規劃(Manual or auto scanning mode can be modified)
- 突波測試強度4仟伏特(1.2x50us)(surge test 4KV(1.2x50us))
- 3組警報控制功能(Three alarm control function)(optional)
- 數位RS-485界面(Digit RS-485 interface function)(Optional)

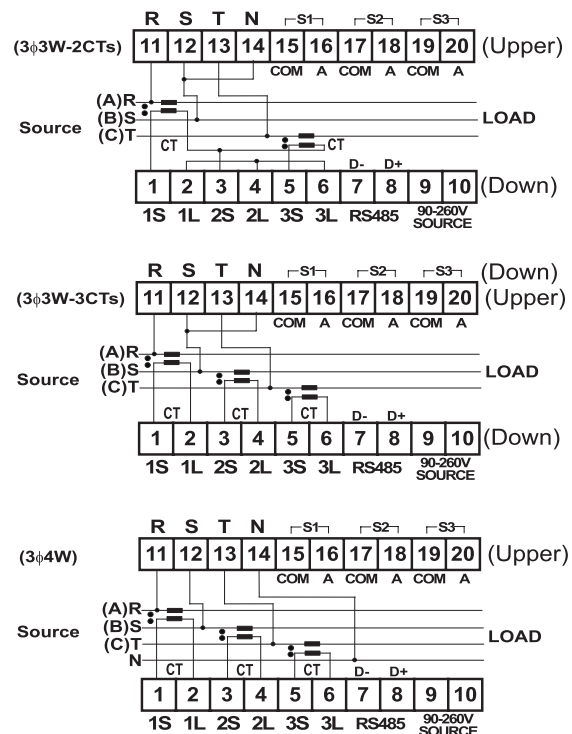
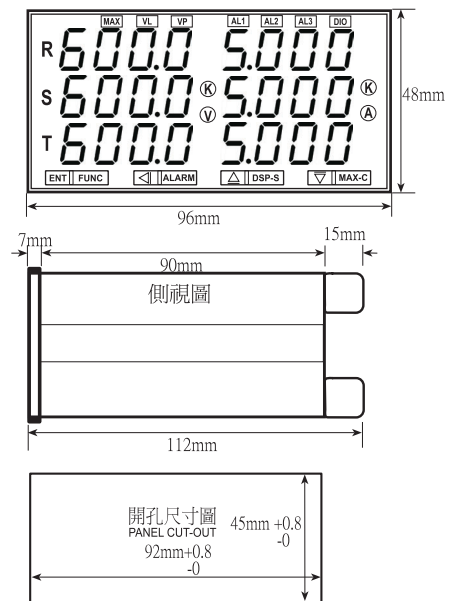
1.MODEL:MMP-3VI- (選購型號)

NO	Alarm Output	NO	RS-485	NO	Aux. Power
N	None	N	None	A	AC/DC18~60V
R	Relay(Three)	Y	RS-485	B	AC/DC90~260V
P	Pulse(Three)		•Modbus mode		•Less 4VA for AC/DC input

2.SPECIFICATION (主要規格)

- Measuring accuracy : 0.15% F.S.(23±5°C)
(精確度)
- Input burden : <0.15VA (Voltage/ Current)
(輸入負載)
- Maximum input over : Voltage related input: maximum AC 750V
(最大過載能力) Current related input: 3 x rated continuous
10 x rated 30 sec. 25 x rated 3 sec. 50 x rated 1 sec.
- Over input indication : "doFL"
(過載顯示)
- Measurement range : AC voltage(60~600V)(45~65Hz)
(輸入範圍) AC current(0.05~5A)(45~65Hz)
- Sampling time : 1 cycles/second(total)
(取樣時間)
- Scanning mode : Auto or manual can be selective
(掃描模式) (Auto:chang page/10 second)
- CT/PT rate : 1~9999 adjustable
(CT/PT 比值)
- Alarm delay time : 0~±999 second adjustable
(繼電器延遲動作時間)
- Pulse output type : Standard open-collector
(脈波輸出形式) (Max.DC60V/120mA)
- Relay contact output : AC 250V-5A, DC 30V-7A
(繼電器容量)
- RS-485 adress : "01"~"FF"(0~255)
(通訊位址)
- RS-485 baud rate : 19200/9600/4800/2400 selective
(傳輸速度)
- RS-485 protocol : Modbus RTU mode
(通信協議)
- Temp. coefficient : 50ppm/°C (0~60°C)
(溫度係數)
- Display : Red high efficiency LEDs high 7.0mm(0.28")
(顯示幕)
- Parameter setting : Touch switches
(參數設定方式)
- Memory mode : Non-volatile E² PROM memory
(記憶型式)
- Dielectric strength : 2KVac/1 min. (input/output/power)
(絕緣耐壓能力)
- Surge test : ANSI c37.90a/1974,DIN-IEC 255-4
(突波測試) impulse voltage 4KV(1.2x50us)
- Operating condition : 0~50°C (20 to 90% RH non-condensed)
(使用環境條件)
- Storage condition : 0~70°C (20 to 90% RH non-condensed)
(存放環境條件)
- CE EMC Certification : EN 55022:1998/A1:2000 Class A
(CE認證) EN 61000-3-2:2000
EN 61000-3-3:1995/A1:2001
EN 55024:1998/A1:2001

3.OUTSIDE DIMENSION AND CONNECTION DIAGRAM (外型尺寸與開孔尺寸與配線圖)



NOTE: If not AC source input short pin9 to pin11 and pin10 to pin14